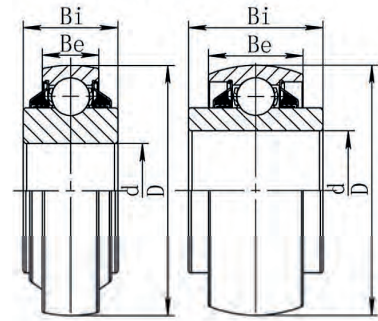
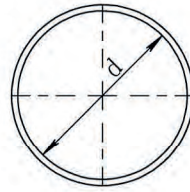
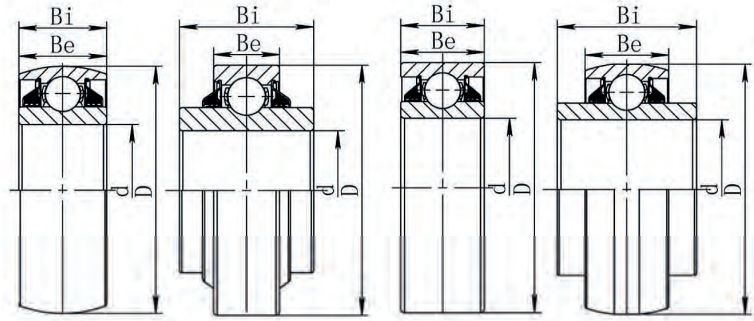




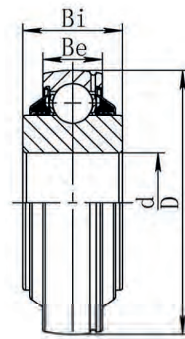
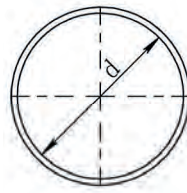
INDUSTRIES
BEARINGS & COMPONENTS

AGRICULTURAL BEARINGS *CUSCINETTI AGRICOLI*

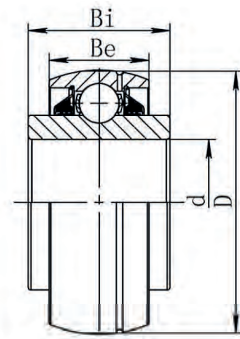



TYPE 1 TYPE 2

TYPE 3 TYPE 4 TYPE 5 TYPE 6

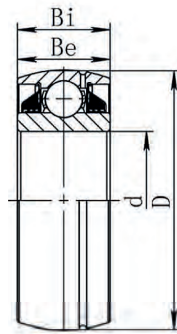
Designation <i>Sigla</i>	Type <i>Tipo</i>	Dimensions - <i>Dimensioni</i>				Bearings interchange <i>Intercambiabilità cuscinetti</i>		
		d	D	Be	Bi	BCA	LINK-BELT	NTN
		(inch)						
W208PPB2	1	1.5005	3.1496	0.7090	1.6880		24R6-208E3	2AC08-1 1/2
		38.113	80.000	18.000	42.875			
W208PPB7	2	1.1880	3.1496	0.7090	1.1880	DS208TT7	19R208E3	1AC08-1 3/16
		30.175	80.000	18.000	30.175			
W208PP10	4	1.5005	3.1496	0.8270	1.6880	DC208TT10	24RB8-208E3	
		38.113	80.000	21.000	42.875			
W208PPB10	1	1.5005	3.1496	0.8270	1.6880			
		38.113	80.000	21.000	42.875			
W208PPB23	2	1.5005	3.1496	1.1880	1.6880	DS208TT2A		
		38.113	80.000	30.175	42.875			
W209PPB2	3	1.7717	3.3460	1.1880	1.1880	DS209TT2	R3-209E3	
		45.000	85.000	30.175	30.175			
W209PPB4	3	1.5350	3.3460	1.1880	1.1880	DS209TT4	24R3-209E3	3AC09-1/2
		39.000	85.000	30.175	30.175			
W210PP2	5	1.9380	3.5433	1.1880	1.1880	DC210TT2	31 RB3-210E3	7AC10-1 15/16
		49.225	90.000	30.175	30.175			
W210PP2	3	1.9380	3.5430	1.1880	1.1880	DS210TT2	31R3-210E3	3AC10-1 15/16
		49.225	90.000	30.175	30.175			
W210PPB2	3	1.7850	3.5430	1.1880	1.1880	DS210TT5	28R3-210E3	3AC10-1 3/4
		45.339	90.000	30.175	30.175			
W210PP8	5	1.5300	3.5433	1.1880	1.1880			
		38.862	90.000	30.175	30.175			
W210PPB8	2	1.9448	3.5433	0.9055	1.4382			
		49.400	90.000	23.000	36.530			
W211PP2	5	2.1880	3.9370	1.3120	1.3120	DC211TT2	35RB3-211E3	7AC11-2 3/16
		55.575	100.000	33.325	33.325			
W211PPB2	3	2.1880	3.9370	1.3120	1.3120	DS211TT2	35R3-211E3	3AC11 2 3/16
		55.575	100.000	33.325	33.325			
W211PPB4	6	2.1880	3.9370	1.3120	2.1870	DS211TT4		
		55.575	100.000	33.325	55.500			
W214PP2	5	2.7559	4.9213	1.5620	1.5620			
		70.000	125.000	39.675	39.675			
W214PPB2	3	2.7559	4.9213	1.5620	1.5620			
		70.000	125.000	39.675	39.675			
W214PPB9	3	2.7660	4.9213	1,1020	1.7500			
		70.256	125.000	28.000	44.450			



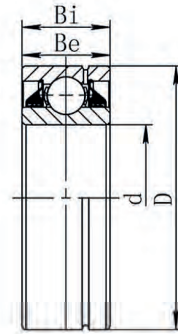
TYPE 1



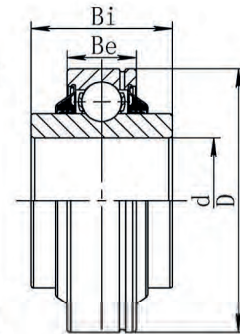
TYPE 2



TYPE 3

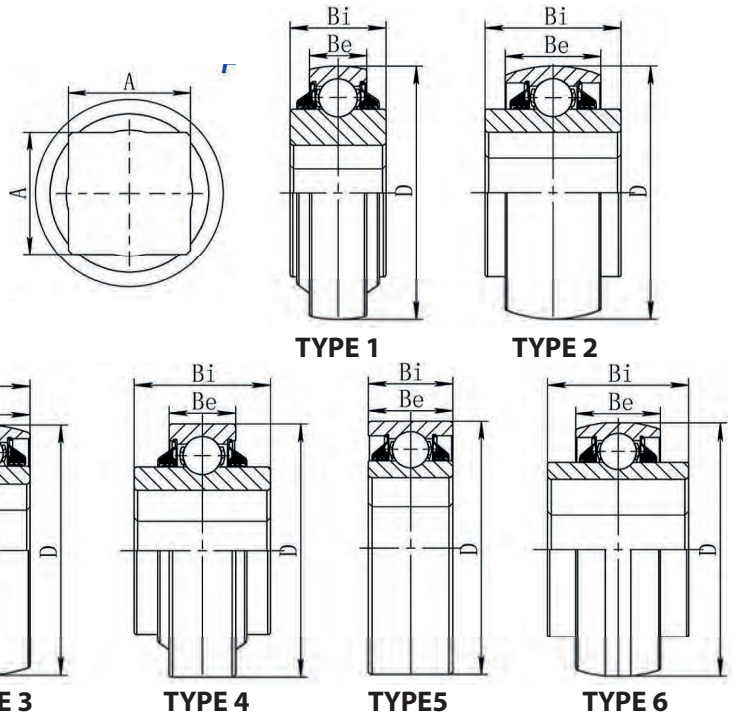


TYPE 4

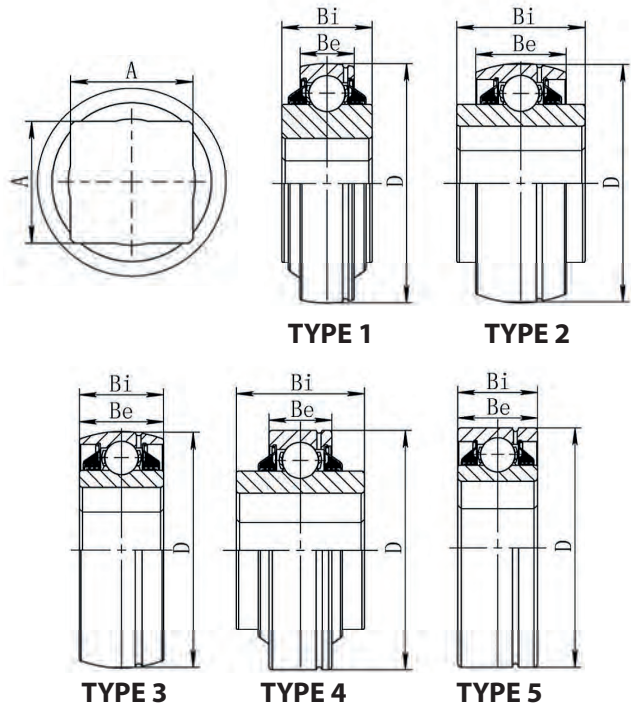


TYPE 5

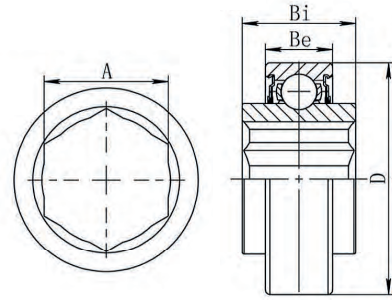
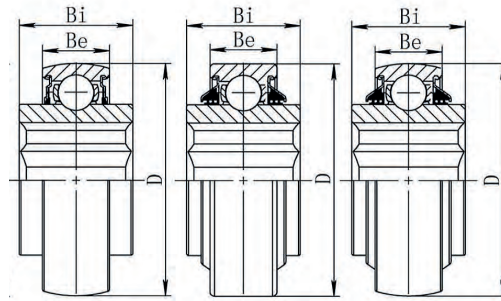
Designation <i>Sigla</i>	Type <i>Tipo</i>	Dimensions - <i>Dimensioni</i>				Bearings interchange <i>Intercambiabilità cuscinetti</i>		
		d	D	Be	Bi	BCA	LINK-BELT	NTN
		[inch]						
GW209PPB2	3	1.7717	3.3465	1.1880	1.1880	DS209TTR2	RG3-209E3	3AC09D1
		45.000	85.000	30.175	30.175			
GW209PPB4	3	1.5350	3.3465	.8660	1.1880	DS209TTR4	24G3-209E3	3AC09 1 1/2 D1
		39.000	85.000	22.000	30.175			
GW209PPB11	1	1.7810	3.3465	1.1880	1.4380	DS209TTR10		1AC09D1V1
		45.237	85.000	30.175	36.525			
GW210PPB2	3	1.9380	3.5433	1.1880	1.1880	DS210TTR2	31 RG3-210E3	3AC10-1 13/16 D1
		49.225	90.000	30.175	30.175			
GW210PPB5	3	1.7850	3.5433	1.1880	1.1880	DS210TTR5R		
		45.339	90.000	30.175	30.175			
GW210PP9	5	1.9450	3.5433	.9060	1.4380			
		49.403	90.000	23.000	36.525			
GW211PP2	4	2.1880	3.9370	1.3120	1.3120	DC211TTR2		
		55.575	100.000	33.325	33.325			
GW211PPB2	3	2.1380	3.9370	1.3120	1.3120	DS211TTR2		
		55.575	100.000	33.325	33.325			
GW211PPB8	1	2.1880	3.9370	.9840	1.3120			
		55.575	100.000	25.000	33.325			
GW211PPB9	1	2.1950	3.9370	.9840	1.5620	DS211TTR9		
		55.753	100.000	25.000	39.675			
GW211PPB10	3	1.9380	3.9370	1.3120	1.3120			
		49.225	100.000	33.325	33.325			
GW211PPB13	1	1.7850	3.9370	.9840	1.3120	DS211TTR13		
		45.339	100.000	25.000	33.325			
GW211PPB14	1	2.0150	3.9370	.9840	1.3120			
		51.181	100.000	25.000	33.325			
GW211PP25	5	1.7800	3.9370	1.3120	1.7500	DC211TTR21		
		45.212	100.000	33.325	44.450			
GW214PP2	4	2.7559	4.9213	1.5620	1.5620	DC214TTR2		
		70.000	125.000	39.675	39.675			
GW214PPB2	3	2.7559	4.9213	1.5620	1.5620			3AC1401
		70.000	125.000	39.675	39.675			
GW214PPB3	3	1.9380	4.9213	1.5620	1.5620	DS214TTR3		
		49.225	125.000	39.675	39.675			
GW214PPB5	2	2.7559	4.9213	1.5620	2.4380	DS214TTR5		
		70.000	125.000	39.675	61.925			
GW214PPB6	1	2.6881	4.9213	1.1024	2.6875	DS214TTRA		
		68.278	125.000	28.000	68.263			



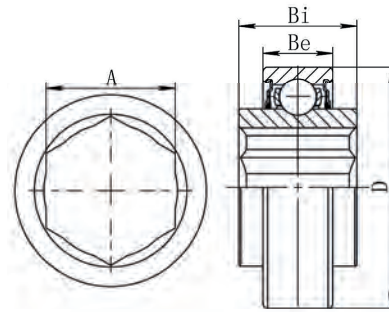
Designation <i>Sigla</i>	Type <i>Tipo</i>	Dimensions - <i>Dimensioni</i>				Bearings interchange <i>Intercambiabilità cuscinetti</i>		
		d	D	Be	Bi	BCA	LINK-BELT	NTN
		[inch]						
W208PP5	4	1.1800	3.1496	0.7090	1.4380	0C208TT5	18SB5-2E08E3	5AS08-1 1/8
		29.970	80.000	18.000	36.520			
W208PPB5	1	1.1800	3.1496	0.7090	1.4380	0S208TT5	18S5-2E08E3	1AS08-1 1/8
		29.970	80.000	18.000	36.520			
W208PP6	4	1.0300	3.1496	0.7090	1.4380	DC208TT6	16SB5-208E3	
		26.162	80.000	18.000	36.520			
W208PPB6	1	1.0300	3.1496	0.7090	1.4380	DS208TT6	16S5-208E3	1AS08-1
		26.162	80.000	18.000	36.520			
W208PP8	4	1.1800	3.1496	1.1880	1.4380	DC208TT8	18SB2-2E08E3	6AS09-1 1/8
		29.972	80.000	30.175	36.520			
W208PPB8	2	1.1800	3.1496	1.1880	1.4380	DS208TT8	18S2-2E08E3	2AS08-1 1/8
		29.972	80.000	30.175	36.520			
W208PPB9	2	1.0300	3.1496	1.1880	1.4380	DS208TT9	16S2-208E3	2AS08-1 1/8
		26.162	80.000	30.175	36.520			
W208PPB11	6	.9050	3.3760	1.1880	1.4380	DS208TT11	14S4-208E3	4AS08-7/8
		23.000	85.750	30.175	36.520			
W208PPB12	6	1.1800	3.3760	1.1880	1.4380	DS208TT12	18S4-2E08E3	4AS08-1 1/8
		29.972	85.750	30.175	36.520			
W208PPB13	1	.9050	3.1496	0.7090	1.4380	0S208TT13	14S5-208E3	1AS08-7/8
		23.000	80.000	18.000	36.520			
W209PPB5	2	1.2900	3.3465	1.1880	1.4380	DS209TT5	20S2-209E3	2AS09-1 1/4
		32.766	85.000	30.175	36.520			
W209PPB7	6	1.2900	3.3760	1.1880	1.4375	DS209TT7	20S4-209E3	
		32.766	85.750	30.175	36.510			
W210PPB4	5	1.1800	3.5433	1.1880	1.1880	DC210TT4	18SB3-210E3	7AS10-1 1/8
		29.972	90.000	30.175	30.150			
W210PPB4	3	1.1800	3.5433	1.1880	1.1880	DS210TT4	18S3-210E3	3AS10-1 3/4
		29.972	90.000	30.175	30.175			
W210PPB6	2	1.1800	3.5433	1.1880	1.4380	DS210TT6	18S2-210E3	2AS10-1 1/8
		29.972	90.000	30.175	36.520			
W211PP3	5	1.5311	3.9370	1.3120	1.3120	DC211TT3	24SB3-211E3	7AS11-1 1/2
		38.890	100.000	33.324	33.324			
W211PPB3	3	1.5311	3.9370	1.3120	1.3120	0S211TT3	24S3-211 E3	3AS11-1 1/2
		38.890	100.000	33.324	33.324			
W211PP5	4	1.5311	4.0000	1.4380	1.7500	DC211TT5		6AS11-1 1/2 V1
		38.890	101.600	36.520	44.450			
W211PPB6	6	1.5311	4.0770	1.4380	1.7500	DS211TT6		4AS11-1 1/2
		38.890	103.556	36.520	44.450			



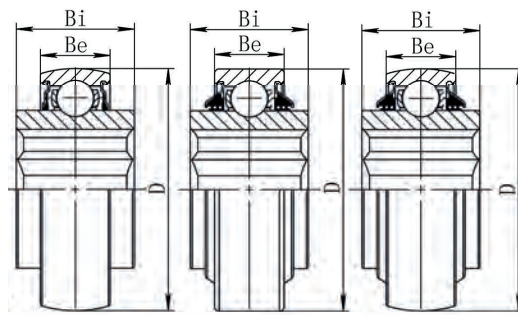
Designation <i>Sigla</i>	Type <i>Tipo</i>	Dimensions - <i>Dimensioni</i>				Bearings interchange <i>Intercambiabilità cuscinetti</i>		
		d	D	Be	Bi	BCA	LINK-BELT	NTN
		[inch]						
GW208PPB5	1	1.1800	3.1496	0.7090	1.4380	DS208TTR21	18SG7-2E08E3	1AS08-1 5/3201
		29.970	80.000	18.000	36.520			
GW208PPB6	1	1.1800	3.1496	0.7090	1.4380	DS208TTR6	16SG7-208E3	
		29.970	80.000	18.000	36.520			
GW208PPB8	2	1.0300	3.1496	0.7090	1.4380	18SG2-2E08E3	2AS08-1 1/8 01	
		26.162	80.000	18.000	36.520			
GW208PP17	4	1.0300	3.1496	0.7090	1.4380	DC208TTR17		
		26.162	80.000	18.000	36.520			
GW208PPB17	2	1.1800	3.1496	1.1880	1.4380			
		29.972	80.000	30.175	36.520			
GW209PPB5	2	1.1800	3.1496	1.1880	1.4380	DS209TTR5		
		29.972	80.000	30.175	36.520			
GW209PPB8	1	1.0300	3.1496	1.1880	1.4380	DS209TTR8	20SG5-209E3	
		26.162	80.000	30.175	36.520			
GW210PP4	5	.9050	3.3760	1.1880	1.4380	DC210TTR4	18SBG3-210E3	7AS101 1/8 01
		23.000	85.750	30.175	36.520			
GW210PPB4	3	1.1800	3.3760	1.1880	1.4380	DS210TTR4	18SG3-210E3	
		29.972	85.750	30.175	36.520			
GW211PP3	5	.9050	3.1496	0.7090	1.4380	DC211TTR3	24SBG3-211E3	7AS11-1 1/2 01
		23.000	80.000	18.000	36.520			
GW211PPB3	3	1.2900	3.3465	1.1880	1.4380	DS211TTR3	24SG3211E3	3AS11-1 1/2 D1
		32.766	85.000	30.175	36.520			
GW211PP5	4	1.2900	3.3760	1.1880	1.4375			
		32.766	85.750	30.175	36.510			
GW211PP17	4	1.1800	3.5433	1.1880	1.1880	DC211TTR3E		
		29.972	90.000	30.175	30.150			
GW211PPB17	1	1.1800	3.5433	1.1880	1.1880			
		29.972	90.000	30.175	30.175			
GW214PPB4	3	1.1800	3.5433	1.1880	1.4380			3AS14-2D1
		29.972	90.000	30.175	36.520			
GW216PP2	4	1.5311	3.9370	1.3120	1.3120			
		38.890	100.000	33.324	33.324			


TYPE 1

TYPE 2
TYPE 3
TYPE 4

Designation <i>Sigla</i>	Type <i>Tipo</i>	Dimensions - <i>Dimensioni</i>				Bearings interchange <i>Intercambiabilità cuscinetti</i>		
		d	D	Be	Bi	BCA	LINK-BELT	NTN
		[inch]						
202KRR3	1	0.5630	1.3780	0.4330	0.5120			
		14.300	35.000	11.000	13.000			
204KPP2	3	0.6950	1.8504	0.5510	0.8250			
		17.653	47.000	14.000	20.955			
204KRR2	1	0.6950	1.8504	0.5510	0.8250	HPC011GP	11KB204N	1AH04-11/16
		17.653	47.000	14.000	20.955			
204KRRB2	2	0.6950	1.8504	0.5510	0.8250		11K204N	
		17.653	47.000	14.000	20.955			
205KPP2	3	0.8760	2.0472	0.5910	1.0000			
		22.250	52.000	15.000	25.400			
205KRR2	1	0.8760	2.0472	0.5910	1.0000	HPC014GP	14KB205N	1 AH05-7/8
		22.250	52.000	15.000	25.400			
205KPPB2	4	0.8760	2.0472	0.5910	1.0000			
		22.250	52.000	15.000	25.400			
205KRRB2	2	0.8760	2.0472	0.5910	1.0000	HPS014GP	14K205N	2AH05-7/8
		22.250	52.000	15.000	25.400			
206KRR6	1	1.0010	2.4409	0.6300	0.9450	HPC100GP	16KB208N	1AH06-1
		25.425	62.000	16.000	24.000			
206KRRB6	2	1.0010	2.4409	0.6300	0.9450	HPS100GP	16K206N	2AH06-1
		25.425	62.000	16.000	24.000			
G207KPPB2*	4	1.1260	2.8346	0.7480	1.4840	HPS102TR		
		28.600	72.000	19.000	37.694			
207KRRB9	2	1.1260	2.8346	0.6690	1.4840	HPS102GP	18K207N	2AH07-1 1/8
		28.600	72.000	17.000	37.694			
207KRRB12	2	1.1260	2.8346	0.6690	0.9840	HPS102GPF		
		28.600	72.000	17.000	25.000			
GW208PPB22*	4	1.2510	3.1496	0.8270	1.4380			
		31.877	80.000	21.000	36.520			
W208KRRB6	2	1.3760	3.1496	0.8270	1.4380	HPS106GPN		
		34.950	80.000	21.000	1.4380			
W208PPB16	4	1.2510	3.1496	0.7090	1.4380	HPS104TP	20K5-208E3	A2AH08-1 1/4V2
		31.775	80.000	18.000	36.520			
W208PP21	3	1.2510	3.1496	0.7090	1.4380			
		31.775	80.000	18.000	36.520			



TYPE 1

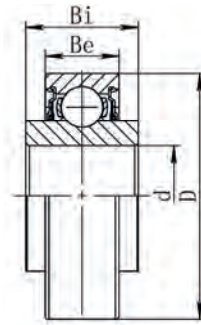
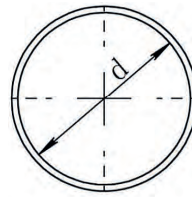
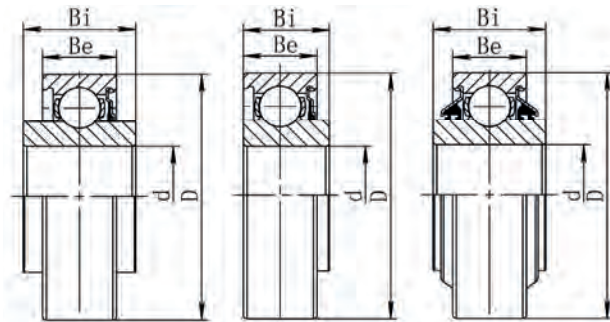


TYPE 2

TYPE 3

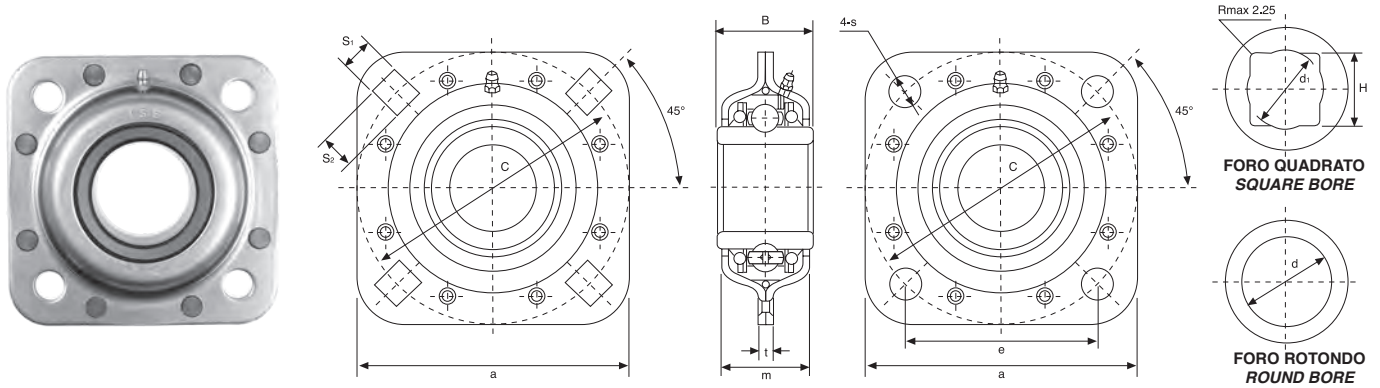
TYPE 4

Designation <i>Sigla</i>	Type <i>Tipo</i>	Dimensions - <i>Dimensioni</i>				Bearings interchange <i>Intercambiabilità cuscinetti</i>		
		d	D	Be	Bi	BCA	LINK-BELT	NTN
		[inch]						
G209KPPB2*	4	1.5010	3.3465	0.7480	1.1810			
		38.125	85.000	19.000	30.000			
G5209KYYB2**		1.5010	3.3465	1.1811	1.2992			
		38.125	85.000	30.000	33.000			
209KRRB2	2	15.010	33.465	0.7480	11.810	HPS108GPH	24K209N	2AH09-1 1/2
		38.125	85.000	19.000	30.000			
210PPB20	3	1.2550	3.5433	0.8661	1.4350			
		31.877	90.000	22.000	36.450			
210PP20	3	1.2550	3.5433	0.8661	1.435			
		31.877	90.000	22.000	36.450			
G210KPPB2*	4	1.5010	3.5433	0.8661	1.1811			
		38.125	90.000	22.000	30.000			
GC211-32-NLC*	3	1.7510	3.9370	0.9840	2.2500			
		44.175	100.000	25.000	57.150			


TYPE 1

TYPE 2
TYPE 3
TYPE 4

Designation <i>Sigla</i>	Type <i>Tipo</i>	Dimensions - <i>Dimensioni</i>				Bearings interchange <i>Intercambiabilità cuscinetti</i>		
		d	D	Be	Bi	BCA	LINK-BELT	NTN
		[inch]						
203KR2	3	0.6253	1.5748	0.5510	0.4724			
		15.883	40.000	14.000	12.000			
BB203KRR2*	1	0.6400	1.5748	0.7200	0.4724	203RRAR10N2		
		16.260	40.000	18.288	12.000			
203KRR2	1	0.6400	15.748	0.7200	0.4724	203RRAR10	123115	
		16.260	40.000	18.288	12.000			
BB203KRRFD**	4	0.6400	1.5748	0.7200	0.4724			
		16.260	40.000	18.288	12.000			
203KRR5	1	0.5150	1.5748	0.7200	0.4724	203RRAR8		
		13.081	40.000	18.288	12.000			
203KRR7	1	0.6693	1.5748	0.6540	0.4724			
		17.000	40.000	16.612	12.000			
207KPP	1	1.3780	2.8346	0.9840	0.6690			
		35.000	72.000	25.000	17.000			
208KRR2	1	1.5748	3.1496	1.0630	0.8270			
		40.000	80.000	27.000	21.000			

Normal duty - ST Serie normale



Type Tipo	Dimensions - Dimensioni												Load ratings (N) Coefficienti di carico (N)	
	H	d	a	B	m	t	C	s	s ₁	s ₂	d ₁	e	Dynamic C Dinamico C	Static C ₀ Statico C ₀
[inch/mm]														
ST209-1½	29,972	-	127	42,8	42	6	127	13,5	13,5	17,45	32,0	-	24360	17710
ST209-30S	31,353	-	127	42,8	42	6	127	13,5	13,5	17,45	34,5	-	24360	17710
ST209-1¼	32,766	-	127	42,8	42	6	127	13,5	13,5	17,45	34,5	-	24360	17710
ST491B	-	38,860	127	42,8	42	6	127	13,5	13,5	17,45	-	-	24360	17710
ST209-40R	-	40,878	127	42,8	42	6	127	13,5	13,5	17,45	-	-	24360	17710
ST491A	-	45,000	127	42,8	42	6	127	13,5	13,5	17,45	-	90	24360	17710
ST209-45R	-	45,340	127	42,8	42	6	127	13,5	13,5	17,45	-	-	24360	17710
ST491A ¹⁾	-	45,000	121	46	42	6	121	13,5	-	-	-	85	24360	17710
ST211-1½	38,890	-	139,7	50,8	46	8	139,7	13,5	13,5	17,45	42,0	-	33370	25110
ST211-40S	40,878	-	139,7	50,8	46	8	139,7	13,5	13,5	17,45	43,1	-	33370	25110
ST211-50R	-	50,400	139,7	50,8	46	8	139,7	13,5	13,5	17,45	-	-	33370	25110
ST211-55R	-	55,575	139,7	50,8	46	8	139,7	13,5	13,5	17,45	-	-	33370	25110
ST211-1¾	-	45,212	139,7	55,6	46	8	139,7	13,5	13,5	17,45	-	-	33370	25110
ST211-2¾	-	55,575	139,7	55,6	46	8	139,7	13,5	13,5	17,45	-	-	33370	25110
ST211-1½ ^{1/16}	-	49,238	139,7	69,9	46	8	139,7	13,5	13,5	17,45	-	-	33370	25110
ST211	-	55,000	139,7	55,6	46	8	139,7	13,5	13,5	17,45	-	-	33370	25110
ST740	-	55,562	139,7	55,6	45	7	139,7	13,5	13,5	17,45	-	98	33370	25110

¹⁾ Special dimensions - Dimensioni speciali

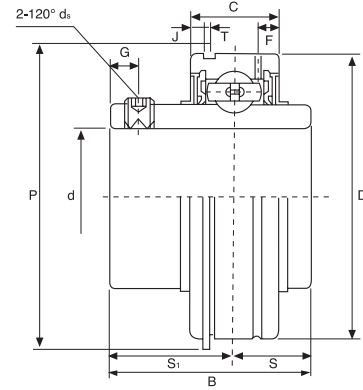
Available on request with square fixing holes - Disponibile su richiesta con fori di fissaggio quadrati

ISB	PEER	FAFNIR	BCA	LINK-BELT	NTN
W208PPB2	W208PPB2	W208PPB2		24R6-208E3	2AC08-1 1/2
W208PP5	W208PP5	W208PP5	DC208TT5	18S85-2E08E3	5AS08-1 1/8
W208PPB5	W208PPB5	W208PPB5	DS208TT5	18S5-2E08E3	1AS08-1 1/8
W208PP6	W208PP6	W208PP6	DC208TT6	16S85-208E3	
W208PPB6	W208PPB6	W208PPB6	DS208TT6	16S5-208E3	1AS08-1
W208PPB7	W208PPB7	W208PPB7	DS208TT7	19R208E3	1AC08-1 3/16
W208PP8	W208PP8	W208PP8	DC208TT8	18S82-2E08E3	6AS09-1 1/8
W208PPB8	W208PPB8	W208PPB8	DS208TT8	18S2-2E08E3	2AS08-1 1/8
W208PPB9	W208PPB9	W208PPB9	OS208TT9	16S2-208E3	2AS08-1 1/8
W208PP10	W208PP10	W208PP10	DC208TT10	24R8B-208E3	
W208PPB10	W208PPB10	W208PPB10			
W208PPB11	W208PPB11	W208PPB11	DS208TT11	14S4-208E3	4AS08-7/8
W208PPB12	W208PPB12	W208PPB12	DS208TT12	18S4-2E08E3	4AS08-1 1/8
W208PPB13	W208PPB13	W208PPB13	DS208TT13	14S 5-208E3	1AS08-7/8
W208PPB23	W208PPB23	W208PPB23	DS208TT2A		
GW208PPB5	GW208PPB5	GW208PPB5	DS208TTR21	18SG7-2E08E3	1AS08-1 5/3201
GW208PPB6	GW208PPB6	GW208PPB6	DS208TTR6	16SG7-208E3	
GW208PPB8	GW208PPB8	GW208PPB8	DS208TTR8	18SG2-2E08E3	2AS08-1 1/8 D1
GW208PP17	GW208PP17	GW208PP17	DC208TTR17		
GW208PPB17	GW208PPB17	GW208PPB17			
W209PPB2	W209PPB2	W209PPB2	DS209TT2	R3-209E3	
W209PPB4	W209PPB4	W209PPB4	DS209TT4	24R3-209E3	3AC09-1/2
W209PPB5	W209PPB5	W209PPB5	DS209TT5	20S2-209E3	2AS09-1 1/4
W209PPB6	W209PPB6	W209PPB6	DS209TT6	24R-209E3	
W209PPB7	W209PPB7	W209PPB7	DS209TT7	20S4-209E3	
W209PPB8	W209PPB8	W209PPB8	DS209TT8A		
GW209PPB2	GW209PPB2	GW209PPB2	DS209TTR2	RG3-209E3	3AC09D1
GW209PPB4	GW209PPB4	GW209PPB4	DS209TTR4	24RG3-209E3	3AC091 1/2 D1
GW209PPB5	GW209PPB5	GW209PPB5	DS209TTR5		
GW209PPB8	GW209PPB8	GW209PPB8	DS209TTR8	20SG5-209E3	
GW209PPB11	GW209PPB11	GW209PPB11	DS209TTR10		1AC09D1V1
W210PP2	W210PP2	W210PP2	DC210TT2	31R83-210E3	7AC10-1 15/16
W210PPB2	W210PPB2	W210PPB2	DS210TT2	31R3-210E3	3AC10-1 15/16
W210PP4	W210PP4	W210PP4	DC210TT4	18S83-210E3	7AS10-1 1/8
W210PPB4	W210PPB4	W210PPB4	DS210TT4	18S3-210E3	3AS10-1 3/4
W210PPB5	W210PPB5	W210PPB5	DS210TT5	28R3-210E3	3AC10-1 3/4
W210PPB6	W210PPB6	W210PPB6	OS210TT6	18S2-210E3	2AS10-1 1/8
W210PPB9	W210PPB9	W210PPB9			
GW210PPB2	GW210PPB2	GW210PPB2	DS210TTR2	31RG3-210E3	3AC10-1 15/16 D1
GW210PP4	GW210PP4	GW210PP4	DC210TTR4	18SBG3-210E3	7AS10-1 1/8 D1
GW210PPB4	GW210PPB4	GW210PPB4	DS210TTR4	18SG3-210E3	
GW210PPB5	GW210PPB5	GW210PPB5	DS210TTR5R	28RG3-210E3	3AC10-1 3/4 D1
W211PP2	W211PP2	W211PP2	DC211TT2	35R83-211E3	7AC11-2 3/16
W211PPB2	W211PPB2	W211PPB2	DS211TT2	35R3-211E3	3AC11-2 3/16
W211PP3	W211PP3	W211PP3	DC211TT3	24S83-211E3	7AS11-1 1/2
W211PPB3	W211PPB3	W211PPB3	DS211TT3	24S3-211E3	3AS11-1 1/2
W211PPB4	W211PPB4	W211PPB4	DS211TT4		
W211PP5	W211PP5	W211PP5	DC211TT5		6AS11-1 1/2 VI
W211PPB5	W211PPB5	W211PPB5			
W211PPB6	W211PPB6	W211PPB6	DS211TT6		4AS11-1 1/2

ISB	PEER	FAFNIR	BCA	LINK-BELT	NTN
GW211PP2	GW211PP2	GW211PP2	DC211TTR2	35RBG3-211E3	7AS11-1 1/2 D1
GW211PPB2	GW211PPB2	GW211PPB2	DS211TTR2	35RG3-211E3	3AC11-2 3/16 D1
GW211PP3	GW211PP3	GW211PP3	DC211TTR3	24SBG3-211E3	7AS11-1 1/2 D1
GW211PPB3	GW211PPB3	GW211PPB3	DS211TTR3	24SG3-211E3	3AS11-1 1/2 D1
GW211PP5	GW211PP5	GW211PP5			
GW211PPB9	GW211PPB9	GW211PPB9	DS211TTR9		
GW211PPB13	GW211PPB13	GW211PPB13	DS211TTR13		
GW211PP17	GW211PP17	GW211PP17	DC211TTR3E		
GW211PPB17	GW211PPB17	GW211PPB17			
GW211PP25	GW211PP25	GW211PP37	DC211TTR21		
GW214PP2	GW214PP2	GW214PP2	DC214TTR2		
GW214PPB2	GW214PPB2	GW214PPB2			3AC14D1
GW214PPB3	GW214PPB3		DS214TTR3		
GW214PPB4	GW214PPB4	GW214PPB4			3AS14-2DI
GW214PPB5	GW214PPB5	GW1214PPB5	DS214TTR5		
GW214PPB6	GW214PPB6		DS214TTRA		
GW216PP2	GW216PP2	GW216PP2	DC216TTR2		
RX84	RX84				
X365	X365				
202KRR3	202KRR3	202KRR3			
202NPP9	202NPP9	202NPP9	202FFH8		
202RRE	202RRE	J202KRR8	202KRR8		
CF5202-2RST-8	CF5202-2RST-8				DF0109LLPK1
203JD	203JD		203K		5X0366LUL
203KR2	203KR2	203KR2			
BB203KRR2	BB203KRR2	BB203KRR2	203RRAR10N2		
BB203KRR2FD	BB203KRR2FD				
203KRR2	203KRR2	203KRR2	203RRAR10	126115	
203KRR2FD	203KRR2FD				
203KRR3	203KRR3	203KRR3	8984YY	B5226119	
203KRR5	203KRR5	203KRR5	203RRAR8		
203KRR6	203KRR6	203KRR6	203RRH10		
203NPP9	203NPP9	2Q3NPP9			
5203KYY2	5203KYY2	5203KYY2			
Z9504-2RST	Z9504-2RST	P204RR6	204BBAR		SC0451IIC3
204KRR2	204KRR2	204KRR2	HPC01IGP	11KB204N	1AH04-11/16
204KRRB2	204KRRB2	204KRRB2		11K204N	
204KRR14	204KRR14	204KRR14			
204JY3	204JY3	204RY2	204FVMN		
204KRD4	204KRD4	204KRD4	204FGB		
204RR8	204RR8	204RR8	204BBE		
205KRP2	205KRP2	205KRP2	205RVA		
205KR3	205KR3	205KR3	205RHN		
205KP6	205KP6	205KP6	205TNJ		
205KP8	205KP8	205KP8	205-TNK		
205KPP2	205KPP2				
205KPPB2	205KPPB2				
205KRR2	205KRR2	205KRR2	HPC014GP	14KB205N	1AH05-7/8
205KRRB2	205KRRB2	205KRRB2	HPS014GP	14K205N	2AH05-7/8
205KRR7	205KRR7	205KRR7	205RRUN		
205KYY3	205KYY3	205KYY3	205-VVA		
G205PPB7	G205PPB7		205TTRH		
205PPB7	205PPB7	205PPB7	205TTH	BS217948N	

ISB	PEER	FAFNIR	BCA	LINK-BELT	NTN
205PP8	205PP8	205PP8			
205PP9	205PP9	205PP9	205TTB	BS225817	
205PP10	205PP10	205PP10			
205PP12	205PP12	205PP12	205TTP		
6205-2RST-22	6205-2RST-22	205PPB	S205FF		CS205LLU
206K14	206K14	206K14			
206KP2	206KP2	206KP2			
206KPP16	206KPP16	206KPP16	206GGH		
206KRR6	206KRR6	206KRR6	HPC100GP	16KB206N	1AH06-1
206KRRB6	206KRRB6	206KRRB6	HPS100GP	16K206N	2AH06-1
206KRP4	206KRP4	206KRP4			
206KPPB5	206KPPB5	206KPPB5			
5206KPP3	5206KPP3	5206KPP3			
G207KPPB2	G207KPPB2	G207KPPB2	HPS102TR		
207KRR14	207KRR14	207KRR14			
207KRRB9	207KRRB9	207KRRB9	HPS102GP	18K207N	2AH07-1 1/8
207KRRB12	207KRRB12	207KRRB12	HPS102GPE		
207KYY	207KYY	207 KYY			
88107	88107	207KRR3	88107		
GW208PPB22	GW208PPB22	GVV208PPB22			
W208K2	W208K2	W208K2			DC208-TT2
W208K3	W208K3	W208K3			DC208
W208KRRB6	W208KRRB6	W208KRRB6	HPS106GPN		
W208PPB16	W208PPB16	W208PPB16	HPS104TP	20K5-208E3	A2AH08-1 1/4V2
208KRR4	208KRR4	208KRR4			
G209KPPB2	G209KPPB2				
209KRRB2	209KRRB2	209KRRB2	HPS108GPH	24K209N	2AH09-1 1/∧2
GW209PPB22-BR209RH	GW209PPB22-BR209RH		CDS209TTR6P		
G5209KYYB2	G5209KYYB2				
GC211-32-NLC	GC211-32-NLC	GC1200KPPB2			
GW211PPB21-BR211RH	GW211PPB21-BR211RH		CDS211TTR23		
W213-8445	W213-8445		8445		

Standard duty - SER2 Serie normale

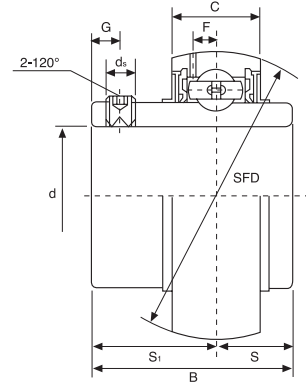


UNF suffix: inch sizes set screws
 Suffisso UNF: Misure in pollici dei grani di bloccaggio

Type Tipo	Dimensions - Dimensioni												Load ratings (N) Coefficienti di carico (N)		Weight Peso kg
	d	D	B	C	S	S ₁	T	F	J	P	G	d _s	Dynamic C _d Dinamico C _d	Static C _s Statico C _s	
[inch/mm]															
SER204	20	47	31	15,9	10,3	20,7	1,12	3,8	2,46	52,7	4,8	M6x1	9880	6200	0,21
SER204-12	¾	1,8504	1,2205	0,6260	0,406	0,815	0,044	0,150	0,097	2,075	0,189	¼-28UNF			
SER205	25	52	34,9	19	13,1	21,8	1,12	5,2	2,46	57,9	5	M6x1	10780	6980	0,27
SER205-13	1⅜														
SER205-14	7/8	2,0472	1,3740	0,7480	0,516	0,858	0,044	0,205	0,097	2,280	0,197	¼-28UNF			
SER205-15	1⅝														
SER205-16	1														
SER206	30	62	38,1	22,2	15,9	22,2	1,7	5,6	3,28	67,7	5	M6x1	14970	10040	0,39
SER206-17	1⅞														
SER206-18	1⅞	2,4409	1,5000	0,8740	0,626	0,874	0,067	0,220	0,129	2,665	0,197	¼-28UNF			
SER206-19	1⅜														
SER206-20	1¼														
SER207	35	72	42,9	23,8	17,5	25,4	1,7	5,6	3,28	78,6	6,7	M8x1	19750	13670	0,63
SER207-20	1¼														
SER207-21	1⅝	2,8346	1,6890	0,9370	0,689	1,000	0,067	0,220	0,129	3,094	0,264	⅝-24UNF			
SER207-22	1⅜														
SER207-23	1⅞														
SER208	40	80	49,2	27,8	19	30,2	1,7	6,4	3,28	86,6	8	M8x1	22710	14940	0,81
SER208-24	1½	3,1496	1,9370	1,0945	0,748	1,189	0,067	0,252	0,129	3,409	0,315	⅝-24UNF			
SER208-25	1⅞														
SER209	45	85	49,2	27,8	19	30,2	1,7	6,4	3,28	91,6	8	M8x1	24360	17710	0,90
SER209-26	1⅝														
SER209-27	1⅞	3,3465	1,9370	1,0945	0,748	1,189	0,067	0,252	0,129	3,606	0,315	⅝-24UNF			
SER209-28	1¾														
SER210	50	90	51,6	28,6	19	32,6	2,46	7,5	3,28	96,5	10	M10x1	26980	19840	0,98
SER210-29	1⅞														
SER210-30	1⅞	3,5433	2,0315	1,1260	0,748	1,283	0,097	0,295	0,129	3,799	0,394	⅝-24UNF			
SER210-31	1⅝														
SER210-32	2														
SER211	55	100	55,6	30,2	22,2	33,4	2,46	7,5	3,28	106,5	10	M10x1	33370	25110	1,40
SER211-32	2														
SER211-33	2⅞	3,9370	2,1890	1,1890	0,874	1,315	0,097	0,295	0,129	4,193	0,394	⅝-24UNF			
SER211-34	2⅞														
SER211-35	2⅜														
SER212	60	110	65,1	31,8	25,4	39,7	2,46	7,5	3,28	116,6	10	M10x1	36740	27970	1,89
SER212-36	2¼														
SER212-37	2⅝	4,3307	2,5630	1,2520	1,000	1,563	0,097	0,295	0,129	4,591	0,394	⅝-24UNF			
SER212-38	2⅜														
SER212-39	2⅞														



Standard duty - UC2 Serie normale



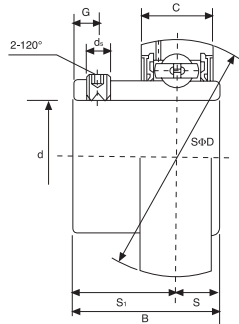
UNF suffix: inch sizes set screws
 Suffisso UNF: Misure in pollici dei grani di bloccaggio

Type Tipo	Dimensions - Dimensioni									Load ratings (N) Coefficienti di carico (N)		Weight Peso kg
	d	D	B	C	S	S ₁	G	d _s	F	Dynamic C Dinamico C _d	Static C ₀ Statico C ₀	
[inch/mm]												
UC201 UC201-8	12 3/4	47 1,8504	31 1,2205	17 0,6693	12,7 0,500	18,3 0,720	4,8 0,189	M6x1 1/4-28UNF	3,7 0,146	12160	6318	0,20 0,19
UC202 UC202-9 UC202-10	15 9/16 5/8	47 1,8504	31 1,2205	17 0,6693	12,7 0,500	18,3 0,720	4,8 0,189	M6x1 1/4-28UNF	3,7 0,146	12160	6318	0,19 0,19 0,19
UC203 UC203-11	17 1 1/16	47 1,8504	31 1,2205	17 0,6693	12,7 0,500	18,3 0,720	4,8 0,189	M6x1 1/4-28UNF	3,7 0,146	12160	6318	0,18 0,17
*UC204 UC204-12	20 3/4	47 1,8504	31 1,2205	17 0,6693	12,7 0,500	18,3 0,720	4,8 0,189	M6x1 1/4-28UNF	3,7 0,146	12160	6318	0,16 0,16
*UC205 UC205-13 UC205-14 UC205-15 UC205-16	25 1 3/16 7/8 1 1/16 1	52 2,0472	34,1 1,3425	17 0,6693	14,3 0,563	19,8 0,780	5 0,197	M6x1 1/4-28UNF	3,9 0,154	13300	7457	0,20 0,24 0,23 0,21 0,20
*UC206 UC206-17 UC206-18 UC206-19 UC206-20	30 1 1/16 1 1/8 1 3/16 1 1/4	62 2,4409	38,1 1,5000	19 0,7480	15,9 0,626	22,2 0,874	5 0,197	M6x1 1/4-28UNF	5,0 0,197	18525	10735	0,32 0,33 0,34 0,32 0,31
*UC207 UC207-20 UC207-21 UC207-22 UC207-23	35 1 1/4 1 3/16 1 3/8 1 7/16	72 2,8346	42,9 1,6890	20 0,7874	17,5 0,689	25,4 1,000	7 0,276	M8x1 5/16-24UNF	5,7 0,224	24415	14630	0,48 0,54 0,51 0,48 0,45
*UC208 UC208-24 UC208-25	40 1 1/2 1 9/16	80 3,1496	49,2 1,9370	21 0,8268	19 0,748	30,2 1,189	8 0,315	M8x1 5/16-24UNF	6,2 0,244	27645	16910	0,64 0,68 0,65
*UC209 UC209-26 UC209-27 UC209-28	45 1 3/8 1 11/16 1 3/4	85 3,3465	49,2 1,9370	22 0,8661	19 0,748	30,2 1,189	8 0,315	M8x1 5/16-24UNF	6,4 0,252	32395	20235	0,68 0,78 0,74 0,70
*UC210 UC210-29 UC210-30 UC210-31 UC210-32	50 1 13/16 1 7/8 1 15/16 2	90 3,5433	51,6 2,0315	24 0,9449	19 0,748	32,6 1,283	10 0,394	M10x1 3/8-24UNF	6,5 0,256	33345	22135	0,80 0,92 0,87 0,82 0,78
*UC211 UC211-32 UC211-33 UC211-34 UC211-35	55 2 2 1/16 2 1/8 2 3/16	100 3,9370	55,6 2,1890	25 0,9843	22,2 0,874	33,4 1,315	10 0,394	M10x1 3/8-24UNF	7,0 0,276	41230	27930	1,11 1,26 1,20 1,15 1,09
*UC212 UC212-36 UC212-37 UC212-38 UC212-39	60 2 1/4 2 5/16 2 3/8 2 7/16	110 4,3307	65,1 2,5630	27 1,0630	25,4 1,000	39,7 1,563	10 0,394	M10x1 3/8-24UNF	7,6 0,299	49780	34390	1,54 1,67 1,59 1,52 1,45
UC213 UC213-40 UC213-41	65 2 1/2 2 5/8	120 4,7244	65,1 2,5630	28 1,1024	25,4 1,000	39,7 1,563	10 0,394	M10x1 3/8-24UNF	8,5 0,335	54340	38095	1,85 1,94 1,85
UC214 UC214-42 UC214-43 UC214-44	70 2 5/8 2 11/16 2 3/4	125 4,9213	74,6 2,9370	29 1,1417	30,2 1,189	44,4 1,748	12 0,472	M12x1,5 7/16-20UNF	8,9 0,350	59090	41895	2,05 2,26 2,16 2,06
UC215 UC215-45 UC215-46 UC215-47 UC215-48	75 2 13/16 2 7/8 2 15/16 3	130 5,1181	77,8 3,0630	30 1,1811	33,3 1,311	44,5 1,752	12 0,472	M12x1,5 7/16-20UNF	9,2 0,362	64030	45885	2,21 2,46 2,35 2,24 2,12
UC216 UC216-49 UC216-50 UC216-51	80 3 1/16 3 3/8 3 3/16	140 5,5118	82,6 3,2520	32 1,2598	33,3 1,311	49,3 1,9409	12 0,472	M12x1,5 7/16-20UNF	9,5 0,374	69065	50350	2,80 2,98 2,85 2,72
UC217 UC217-52 UC217-53 UC217-55	85 3 3/4 3 5/8 3 7/8	150 5,9055	85,7 3,3740	34 1,3386	34,1 1,343	51,6 2,031	12 0,472	M12x1,5 7/16-20UNF	10,2 0,402	79800	58805	3,46 3,68 3,54 3,25
UC218 UC218-56	90 3 1/2	160 6,2992	96 3,7795	36 1,4173	39,7 1,5630	56,3 2,217	12 0,472	M12x1,5 7/16-20UNF	11,2 0,441	91295	67925	4,36 4,47

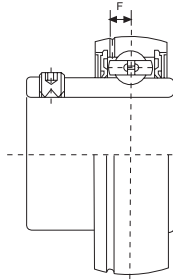
Available stainless steel AISI 440C or 420C - Disponibile in acciaio inox AISI 440C o 420C

* Equipped with anti-rust shield star shape, screw with ball and burnished inner ring - Fornito con schermo antipolvere a stella, grano con sfera e anello interno brunito

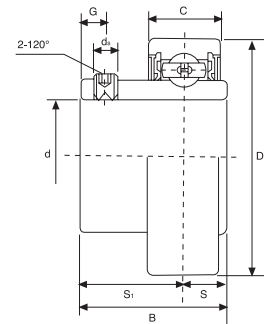
Light duty - SB-RB2 Serie leggera



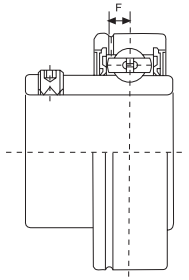
SB 2
outer spherical ring
anello esterno sferico



SB 2S
outer spherical ring,
with relubrication groove
anello esterno sferico,
con gola di lubrificazione



RB 2C
outer cylindrical ring
anello esterno cilindrico

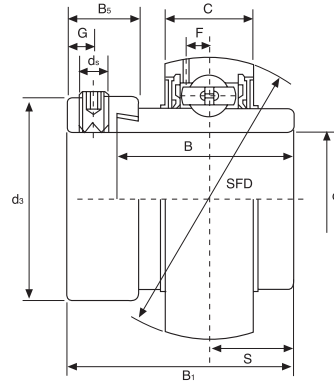


RB 2CS
outer cylindrical ring,
with relubrication groove
anello esterno cilindrico,
con gola di lubrificazione

UNF suffix: inch sizes set screws
Suffisso UNF: Misure in pollici dei grani di bloccaggio

Type Tipo	Dimensions - Dimensioni									Load ratings (N) Coefficienti di carico (N)		Weight Peso kg
	d	D	B	C	S	S ₁	d _s	G	F	Dynamic C Dinamico C _d	Static C ₀ Statico C ₀	
[inch/mm]												
SB-RB201	12	40	22	12	6	16	M5x0,8	4,5	3,7	9200	4480	0,10
SB-RB201-8	3/4	1,5748	0,8661	0,4724	0,236	0,630	10-32UNF	0,177	0,146			
SB-RB202	15	40	22	12	6	16	M5x0,8	4,5	3,7	9200	4480	0,10
SB-RB202-9	9/16	1,5748	0,8661	0,4724	0,236	0,630	10-32UNF	0,177	0,146			
SB-RB202-10	5/8											
SB-RB203	17	40	22	12	6	16	M5x0,8	4,5	3,7	9200	4480	0,09
SB-RB203-11	11/16	1,5748	0,7520	0,4724	0,256	1/4-28UNF	0,189	0,531	0,146			
SB-RB204	20	47	25	14	7	18	M6x1	4,5	3,7	12200	6300	0,13
SB-RB204-12	3/4	1,8504	0,9843	0,5512	0,276	0,709	1/4-28UNF	0,177	0,146			
SB-RB205	25	52	27	15	7,5	19,5	M6x1	5,5	3,9	13300	7460	0,16
SB-RB205-13	13/16	2,0472	1,0630	0,5906	0,295	0,768	1/4-28UNF	0,217	0,154			
SB-RB205-14	7/8											
SB-RB205-15	15/16											
SB-RB205-16	1											
SB-RB205-17	1 1/16											
SB-RB206	30	62	30	16	8	22	M6x1	6	5,0	18500	10800	0,25
SB-RB206-17	1 1/8	2,4409	1,1811	0,6299	0,315	0,866	1/4-28UNF	0,236	0,197			
SB-RB206-18	1 1/4											
SB-RB206-19	1 3/8											
SB-RB206-20	1 1/2											
SB-RB206-21	1 5/8											
SB-RB207	35	72	32	17	8,5	23,5	M8x1	6,5	5,7	24500	14600	0,38
SB-RB207-20	1 1/4	2,8346	1,2598	0,6693	0,335	0,925	5/16-24UNF	0,256	0,224			
SB-RB207-21	1 3/8											
SB-RB207-22	1 1/2											
SB-RB207-23	1 5/8											
SB-RB207-24	1 3/4											
SB-RB208	40	80	34	18	9	25	M8x1	7	6,2	27700	17000	0,60
SB-RB208-24	1 1/2	3,1496	1,3386	0,7087	0,354	0,984	5/16-24UNF	0,276	0,244			
SB-RB208-25	1 5/8											
SB-RB208-26	1 3/4											
SB-RB209	45	85	41,2	19	10,2	31	M8x1	8,2	6,4	31100	24450	0,8
SB-RB209-26	1 5/8	3,3465	1,6220	0,7480	0,402	1,220	5/16-24UNF	0,323	0,252			
SB-RB209-27	1 11/16											
SB-RB209-28	1 3/4											
SB-RB209-29	1 7/8											
SB-RB210	50	90	43,5	20	10,9	32,6	M10x1	9,2	6,5	35300	28160	0,8
SB-RB210-29	1 13/16	3,5433	1,7126	0,7874	0,429	1,283	3/8-24UNF	0,362	0,256			
SB-RB210-30	1 7/8											
SB-RB210-31	1 15/16											
SB-RB210-32	2											
SB-RB210-33	2 1/16											
SB-RB211	55	100	45,3	21	11,8	33,5	M10x1	9,8	7,0	38100	30000	1,1
SB-RB211-32	2	3,9370	1,7835	0,8268	0,465	1,319	3/8-24UNF	0,386	0,276			
SB-RB211-33	2 1/8											
SB-RB211-34	2 1/4											
SB-RB211-35	2 3/8											
SB-RB211-36	2 1/2											
SB-RB212	60	110	53,7	22	14,9	38,8	M10x1	9,8	7,6	41500	32730	1,3
SB-RB212-36	2 1/4	4,3307	2,1142	0,8661	0,587	1,528	3/8-24UNF	0,386	0,299			
SB-RB212-37	2 5/8											
SB-RB212-38	2 3/4											
SB-RB212-39	2 7/8											
SB-RB212-40	3											

Available stainless steel AISI 440C or 420C - Disponibile in acciaio inox AISI 440C o 420C

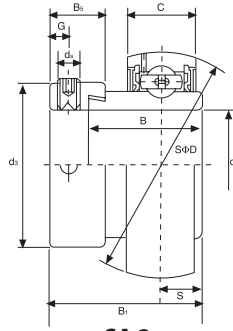
Standard duty - UC2 Serie normale


UNF suffix: inch sizes set screws
 Suffisso UNF: Misure in pollici dei grani di bloccaggio

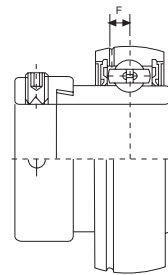
Type Tipo	Dimensions - Dimensioni											Load ratings (N) Coefficienti di carico (N)		Weight Peso kg
	d	D	B ₁	B	C	S	d _s	G	B _s	d ₃	F	Dynamic C Dinamico C	Static C ₀ Statico C ₀	
[inch/mm]														
HC204	20	47	43,7	34,2	17	17,1	M6x1	4,8	13,5	33,3	3,7	12160	6318	0,23
HC204-12	¾	1,8504	1,720	1,3465	0,6693	0,673	¼-28UNF	0,189	0,531	1,311	0,146			0,23
HC205	25	52	44,4	34,9	17	17,5	M6x1	4,8	13,5	38,1	3,9	13300	7457	0,27
HC205-13	13/16	2,0472	1,748	1,3740	0,6693	0,689	¼-28UNF	0,189	0,531	1,500	0,154			0,32
HC205-14	7/8													0,31
HC205-15	15/16													0,29
HC205-16	1													0,27
HC206	30											62	48,4	36,5
HC206-17	1 1/16	2,4409	1,906	1,4370	0,7480	0,720	5/16-24UNF	0,236	0,626	1,752	0,197	0,50		
HC206-18	1 1/8											0,47		
HC206-19	1 3/16											0,45		
HC206-20	1 1/4											0,42		
HC207	35											72	51,1	37,6
HC207-20	1 1/4	2,8346	2,012	1,4803	0,7874	0,740	5/16-24UNF	0,268	0,689	2,189	0,224	0,67		
HC207-21	1 5/16											0,63		
HC207-22	1 3/8											0,60		
HC207-23	1 7/16											0,57		
HC208	40											80	56,3	42,8
HC208-24	1 1/2	3,1496	2,217	1,6850	0,8268	0,843	5/16-24UNF	0,268	0,720	2,374	0,244	0,84		
HC208-25	1 5/8											0,80		
HC209	45											85	56,3	42,8
HC209-26	1 5/8	3,3465	2,217	1,6850	0,8661	0,843	5/16-24UNF	0,268	0,720	2,5000	0,252	0,96		
HC209-27	1 11/16											0,91		
HC209-28	1 3/4											0,87		
HC210	50											90	62,7	49,2
HC210-29	1 13/16	3,5433	2,469	1,9370	0,9449	0,969	5/16-24UNF	0,268	0,720	2,752	0,256	1,14		
HC210-30	1 7/8											1,08		
HC210-31	1 15/16											1,02		
HC210-32	2											0,96		
HC211	55											100	71,4	55,5
HC211-32	2	3,9370	2,811	2,1850	0,9843	1,094	3/8-24UNF	0,315	0,815	3,000	0,276	1,52		
HC211-33	2 1/16											1,44		
HC211-34	2 1/8											1,37		
HC211-35	2 3/16											1,29		
HC212	60											110	77,8	61,9
HC212-36	2 1/4	4,3307	3,063	2,4370	1,0630	1,220	3/8-24UNF	0,315	0,878	3,315	0,299	2,04		
HC212-37	2 5/16											1,95		
HC212-38	2 3/8											1,90		
HC212-39	2 7/16											1,77		
HC213	65											120	85,7	68,6
HC213-40	2 1/2	4,7244	3,374	2,7008	1,1024	1,343	3/8-24UNF	0,335	0,925	3,386	0,335	2,51		
HC213-41	2 9/16											2,40		
HC214	70											125	85,7	68,6
HC214-42	2 5/8	4,9213	3,374	2,7008	1,1417	1,343	3/8-24UNF	0,335	0,925	3,543	0,350	2,79		
HC214-43	2 11/16											2,68		
HC214-44	2 3/4											2,56		
HC215	75											130	92,1	75
HC215-45	2 13/16	5,1181	3,626	2,9528	1,1811	1,469	3/8-24UNF	0,335	0,925	4,016	0,362	3,14		
HC215-46	2 7/8											3,01		
HC215-47	2 15/16											2,88		
HC215-48	3											2,74		

Available stainless steel AISI 440C or 420C - Disponibile in acciaio inox AISI 440C o 420C

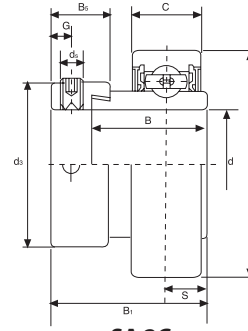
Light duty - SA2 Serie leggera



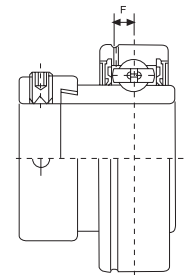
SA 2
outer spherical ring
anello esterno sferico



SA 2S
outer spherical ring,
with relubrication groove
anello esterno sferico,
con gola di lubrificazione



SA 2C
outer cylindrical ring
anello esterno cilindrico



SA 2CS
outer cylindrical ring,
with relubrication groove
anello esterno cilindrico,
con gola di lubrificazione

UNF suffix: inch sizes set screws
Suffisso UNF: Misure in pollici dei grani di bloccaggio

Type Tipo	Dimensions - Dimensioni											Load ratings (N) Coefficienti di carico (N)		Weight Peso kg
	d	D	B ₁	B	C	S	ds	G	B _s	ds	F	Dynamic C Dinamico C	Static C ₀ Statico C ₀	
[inch/mm]														
SA201	12	40	28,6	19,1	12	6,5	M6x1	4,8	13,5	28,6	3,7	9200	4480	0,12
SA201-8	3/4	1,5748	1,126	0,7520	0,4724	0,256	1/4-28UNF	0,189	0,531	1,126	0,146			
SA202	15	40	28,6	19,1	12	6,5	M6x1	4,8	13,5	28,6	3,7	9200	4480	0,10
SA202-9	9/16	1,5748	1,126	0,7520	0,4724	0,256	1/4-28UNF	0,189	0,531	1,126	0,146			
SA202-10	5/8													
SA203	17	40	28,6	19,1	12	6,5	M6x1	4,8	13,5	28,6	3,7	9200	4480	0,09
SA203-11	1 1/16	1,5748	1,126	0,7520	0,4724	0,256	1/4-28UNF	0,189	0,531	1,126	0,146			
SA204	20	47	31	21,5	14	7,5	M6x1	4,8	13,5	33,3	3,7	12200	6300	0,16
SA204-12	3/4	1,8504	1,220	0,8465	0,5512	0,295	1/4-28UNF	0,189	0,531	1,311	0,146			
SA205	25	52	31	21,5	15	7,5	M6x1	4,8	13,5	38,1	3,9	13300	7460	0,20
SA205-13	1 3/16	2,0472	1,220	0,8465	0,5906	0,295	1/4-28UNF	0,189	0,531	1,500	0,154			
SA205-14	7/8													
SA205-15	1 3/16													
SA205-16	1													
SA206	30													
SA206-17	1 1/16	2,4409	1,406	0,9370	0,6299	0,354	5/16-28UNF	0,236	0,626	1,752	0,197			
SA206-18	1 1/8													
SA206-19	1 3/16													
SA206-20	1 1/4													
SA207	35	72	38,9	25,4	17	9,5	M8x1	6,8	17,5	55,6	5,7	24500	14600	0,42
SA207-20	1 1/4	2,8346	1,531	1,000	0,6693	0,374	5/16-24UNF	0,268	0,689	2,189	0,224			
SA207-21	1 5/16													
SA207-22	1 3/8													
SA207-23	1 7/16													
SA208	40	80	43,7	30,2	18	11	M8x1	6,8	18,3	60,3	6,2	27700	17000	0,60
SA208-24	1 1/2	3,1496	1,721	1,1890	0,7087	0,433	5/16-24UNF	0,268	0,720	2,374	0,244			
SA208-25	1 5/16													
SA209	45	85	43,7	30,2	19	11	M8x1	6,8	18,3	63,5	6,4	31100	24450	0,76
SA209-26	1 5/8	3,3465	1,721	1,1890	0,7480	0,433	5/16-24UNF	0,268	0,720	2,500	0,252			
SA209-27	1 11/16													
SA209-28	1 3/4													
SA210	50	90	43,7	30,2	20	11	M8x1	6,8	18,3	69,9	6,5	35300	28160	0,91
SA210-29	1 13/16	3,5433	1,721	1,1890	0,7874	0,433	5/16-24UNF	0,268	0,720	2,752	0,256			
SA210-30	1 7/8													
SA210-31	1 15/16													
SA210-32	2													
SA211	55	100	48,4	32,5	21	12	M8x1	8	20,7	76,2	7,0	38100	30000	1,26
SA211-32	2	3,9370	1,906	1,2795	0,8268	0,472	5/16-24UNF	0,315	0,815	3,000	0,276			
SA211-33	2 1/16													
SA211-34	2 1/8													
SA211-35	2 3/16													
SA212	60	110	53,1	37,2	22	13,5	M10x1	8	22,3	84,2	7,6	41500	32730	1,70
SA212-36	2 1/4	4,3307	2,091	1,4646	0,8661	0,532	3/8-24UNF	0,315	0,878	3,315	0,299			
SA212-37	2 5/16													
SA212-38	2 3/8													
SA212-39	2 7/16													

Available stainless steel AISI 440C or 420C - Disponibile in acciaio inox AISI 440C o 420C